

TD-8S

CRAWLER DOZERS

EPA Tier 4F/EU Stage IIIB
STANDARD, LT, LGP

ENGINE

	TD-8S
Make and model	Cummins QSF3.8
Emissions standard	EPA Tier 4F/EU Stage IIIB
Displacement	3.8 l (229 in ³)
Bore and stroke	107 x 115 mm (4.2 in x 4.53 in)
Gross horsepower, SAE J1995	75 kW (100 hp)
Net horsepower, SAE J1349/ISO 9249	70 kW (94 hp)
Rated rpm	2200
Max. torque	414 Nm (305 ft-lb) @ 1600 rpm
Air cleaner	2-stage, dry type with service indicator

COOLING

	TD-8S
Type	Variable-speed fan with viscosus fan clutch
Engine coolant rating	-37 deg C (-34 deg F)

OPERATOR STATION

	TD-8S
ROPS	ROPS (ISO 3471 - 2008)
FOPS	FOPS (ISO 3449 - 2005)

HYDRAULICS

	TD-8S
Type	Open-center hydraulic system with fixed-displacement tandem gear pump
Pump displacement	69.6 l/min (18.4 gpm)
System relief pressure	20000 kPa (2900 psi)
Control	3-function direct-acting T-bar joystick
Cylinders, bore and stroke	
lift	89 x 449 mm (3.5" x 17.7")
angle	76 x 352 mm (3.0" x 13.9")
tilt	89 x 144 mm (3.5" x 5.7")

ELECTRICAL

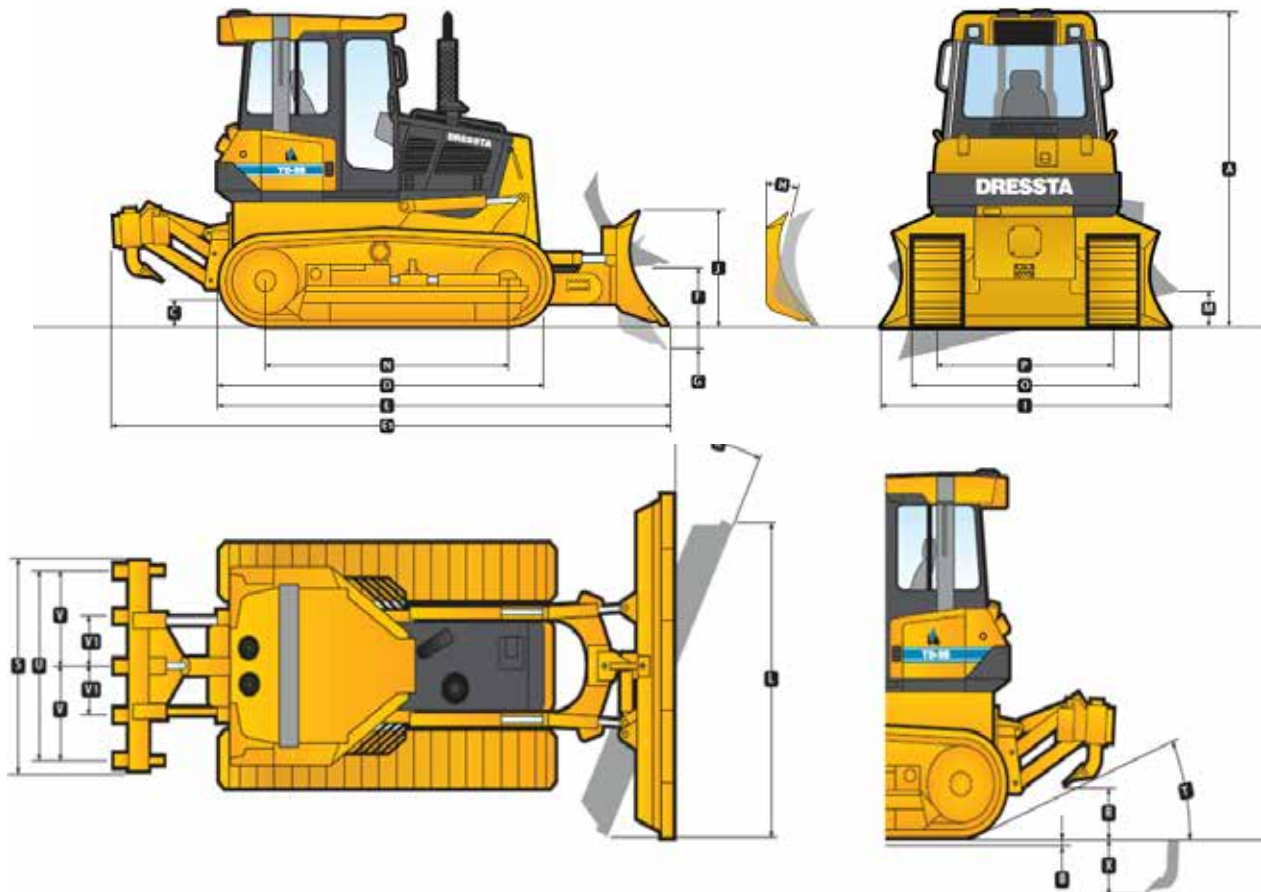
	TD-8S
Voltage	12 V
Battery Capacity	815 CCA
Reserve Capacity	170 min
Alternator Rating	120 A
Lights	front- ROPS or cab (2), rear (2)

MACHINE DIMENSIONS

TD-8S LT

TD-8S LGP

Blade Type	6-WAY	6-WAY
A Overall Height -Cab ROPS/FOPS	2.87 m (9 ft 4 in)	2.87 m (9 ft 4 in)
B Grouser height	53.6 mm (2.11 in)	53.6 mm (2.11 in)
C Ground clearance	367 mm (14.4 in)	367 mm (14.4 in)
D Overall length, base machine	3.08 m (10 ft 1.2 in)	3.08 m (10 ft 1.2 in)
E Length with Blade	4.36 m (14 ft 3.6 in)	4.36 m (14 ft 3.6 in)
E1 Length with Blade and Ripper	5.23 m (17 ft 2 in)	5.23 m (17 ft 2 in)
F Blade Lift Height	0.82 m (32.3 in)	0.82 m (32.3 in)
G Blade Digging Depth	0.47 m (18.5 in)	0.47 m (18.5 in)
H Blade Cutting-Edge Angle, Adjustable	8 deg (52 to 60 deg)	8 deg (52 to 60 deg)
I Blade Width	2,733 mm (8 ft 11 in)	2,974 mm (9 ft 9 in)
J Blade Height	950 mm (3 ft 2 in)	950 mm (3 ft 2 in)
SAE Capacity	1.84 m ³ (2.4 yd ³)	2.0 m ³ (2.6 yd ³)
K Blade Angle	25 deg	25 deg
L Overall Width with Blade Angled	2.51 m (8 ft 5in)	2.72 m (9 ft 1 in)
M Blade Tilt	0.33 m (13 in)	0.33 m (13 in)
N Track Length on Ground	2333 mm (91.7 in)	2333 mm (91.7 in)
O Width Over Track	1981 m (6 ft 6 in)	2385 mm (7 ft 9.7 in)
P Track Gauge	1575 mm (61 in)	1725 mm (69 in)



RIPPER

TD-8S LT / TD-8S LGP

Heavy-duty parallelogram 3-shank ripper

Weight, complete	510 kg (1120 lb)
Weight of Shank	14 kg (30.9 lb)
Shank positions (vertical)	2
Q Maximum Penetration	378 mm (14.9 in)
R Maximum Clearance Under Tip	396 mm (15.6 in)
S Overall Beam Width	1.57 m (5 ft 2 in)
T Slope Angle (full raise)	34 deg
U Ripping Width	1510 mm (4 ft 11.5 in)
V / V1 Spacing Center to Center	755 mm (30 in) / 343 mm (13.5 in)

OPERATING WEIGHTS

	TD-8S LT	TD-8S LGP
Base Weight (with 6-WAY blade, standard equipment, Cab ROPS/FOPS, full fuel tank, and 79-kg [175 lb] operator)	10000 kg (220461 lb)	10300 kg (22707 lb)
Optional Components		
Ripper w/3 shanks	510 kg (1120 lb)	510 kg (1120 lb)
Track shoes		
381 mm (15 in)	- 34 kg (74 lb)	-
432 mm (17 in)	+ 77 kg (170 lb)	-
610 mm (24 in)	-	- 262 kg (577 lb)

SERVICEABILITY

	TD-8 LT	TD-8 LGP
Refill capacities		
Fuel Tank	185 l (48 US gal)	185 l (48 US gal)
Cooling System	23 l (6 US gal)	23 l (6 US gal)
Engine Oil	11 l (2.7 US gal)	11 l (2.7 US gal)
Hydraulic Reservoir	116 l (30.6 US gal)	116 l (30.6 US gal)
Final Drive, Each Side	18.5 l (4.8 US gal)	18.5 l (4.8 US gal)
AdBlue (DEF)	20 l (5.3 US gal)	20 l (5.3 US gal)

UNDERCARRIAGE

	TD-8S LT	TD-8S LGP
Suspension	Rigid type	Rigid types
Tracks	large deep-heat-treated, sealed, and lubricated track links and through-hardened, sealed, and lubricated rollers for maximum wear resistance	large deep-heat-treated, sealed, and lubricated track links and through-hardened, sealed, and lubricated rollers for maximum wear resistance
Track Gauge	1575 mm (61 in)	1725 mm (69 in)
Track Shoe Width	406 mm (16 in)	660 mm (26 in)
Chain	Sealed and lubricated	Sealed and lubricated
Shoes, Each Side	40	40
Track Rollers, Each Side	7	7
Track Length on Ground	2333 mm (91.7 in)	2333 mm (91.7 in)
Ground Contact Area	18943 cm ² (2936 in ²)	30795 cm ² (4773 in ²)
Ground Pressure	51 kPa (7.4 psi)	33 kPa (4.7 psi)
Track Pitch	165 mm (6.5 in)	165 mm (6.5 in)

Transmission	Automatic, dual-path, hydrostatic drive; automatically adjusts speed and power to match changing load conditions; each individually controlled track is powered by a variable-displacement piston pump and variable speed motor combination; ground-speed-selection on single-lever steering and direction control; independently selectable speed increments of 0.5 km/h ; decelerator/brake pedal controls ground speed to stop
Steering	Single-lever steering, speed, direction control, and counterrotation; full power turns and variable track speeds provide unlimited maneuverability and optimum control; hydrostatic steering eliminates steering clutches and brakes
Final Drives	Double-reduction final drives mounted independently of track frames and dozer push arms for isolation from shock loads
System Relief Pressure	45000 kPa (6526.7 psi)
Total Ratio	48 to 1
Travel Speeds Maximum	10.5 km/h (6.5 mph)
Drawbar Pull Maximum	168 kN (37,768 lb)
Brakes	
Service	Hydrostatic (dynamic) braking stops the machine whenever direction-control lever is moved to neutral or the decelerator/brake is depressed to the detent
Parking	Exclusive spring-applied, hydraulically released park brake feature engages wet, multiple-disc brakes automatically whenever the engine stops, the operator depresses the decelerator pedal to the brake position, the unit is in neutral for 3 seconds (with detected motion), or the park-lock lever is in the park position; machine cannot be driven with brake applied, minimizing wearout or need for adjustment

STANDARD EQUIPMENT TD-8S

ENGINE & COOLING

Cummins engine 70 kW (94 hp) QSF3.8 EPA Tier 4F / EU Stage IIIB emission certified, turbocharged, high pressure injection (XPI), EGR, DRT, SCR, DEF after-treatment, electronic controls (ECM).
Water separator, fuel system
Air cleaner: Cummins Filtration Direct Flow, dry type, pre cleaner and service indicator.
Antifreeze, -34°F (-37°C)
Cooling module: includes radiator, oil cooler and charge air cooler (CAC); isolation mounted
Fan: viscosity clutch driven, variable speed

DRIVETRAIN

Dual path Hydrostatic Drive system
Variable piston pump: tandem
Two hydraulic motors
Two-step final drives
Brakes: multi disc, spring applied/hydraulic release, on final drives
Steering: left hand single lever control T-handle joystick

OPERATOR'S ENVIRONMENT

Cab with A/C, heater, pressurizer, defroster, AM/FM radio ready
Cab with 2 post ROPS, with sound suppression, 4 wipers w/washers, inside mirror, dome light, tinted safety glass and air recirculation system (approved according to ROPS – SAE J1040 and FOPS – SAE J231)
Brake/decelerator foot operated pedal
Seat: suspension type, fabric cover, with adjustable arm rests
Seat belt: (SAE J386) – 3 in wide, retractable
Sun visor for front cab window
Cup holder and lunch box
Tools compartment

HYDRAULIC CONTROLS

Hydraulics, 4-spool valve, 4th section plugged
RH blade control
T-handle joystick, ready for ripper

INSTRUMENTATION

Gauges: fuel level, engine coolant temperature, engine oil pressure, drive train system oil temperature, voltmeter, hour meter, tachometer, engine ECM failure warning lights and switches, gear, range, drive train and engine diagnostic display
Warning lights: air cleaner filter, drive train oil filters, hydraulic oil filters, coolant high temperature, drive train oil high temperature
Audible and visual warning system: low engine coolant level, low engine oil pressure

ELECTRICAL

Alarm: back-up, 2 level sound
Alternator: 120 A
Dual batteries: 12 V, 960 CCA, cold start, maintenance free
Horn, electric
Lights for cab: 2 front, 2 rear, halogen type
Starting: 12 V
Starting aid: air grid heater

GUARDS

Crankcase (hinged) with front pull hook: transmission, fan, radiator and sprocket rock and dirt deflector
Engine hood: sloped, partially perforated
Engine side doors: partially perforated
Final drive seal guard
Radiator guard doors: louvered, one-piece, bolted

UNDERCARRIAGE (LT)

Track adjusters: hydraulic
Track chains: sealed and lubricated (LTS) with split master links (42 links)
Track frame covers
Track frame: 7 roller, 1,575 mm (62 in) gauge, rigid type, lifespan lubricated rollers and idlers, front and rear chain guides
Track shoes: 406 mm (16 in), single grouser

UNDERCARRIAGE (LGP)

Track adjusters: hydraulic
Track chains: sealed and lubricated (LTS) with split master links (42 links)
Track frame covers
Track frame: 7 roller, 1,725 mm (68 in) gauge, rigid type, lifespan lubricated rollers and idlers, front and rear chain guides
Track shoes: 660 mm (26 in), single grouser

OTHER STANDARD EQUIPMENT

Diagnostic centers for power train and equipment hydraulic pressures
Ecological drains for engine oil, radiator coolant and hydraulic oil
Manuals, parts and operator's filters, with 'spin-on' elements, engine oil, power train, retrieval hitch

OPTIONAL EQUIPMENT TD-8S

BLADE EQUIPMENT

Angle (6-way), 1.84 m³ (2.4 yd³), inside arm with hydraulic tilt and angle blade width – 2,733 mm (108 in)

Angle (6-way), 2.0 m³ (2.6 yd³), inside arm with hydraulic tilt and angle blade width – 2,974 mm (117 in)

REAR MOUNTED EQUIPMENT

Ripper, multi-shank beam, with three shanks, includes deduct for standard retrieval hitch

TRACK SHOES

457 mm (18 in) shoes, single grouser

610 mm (24 in) shoes, single grouser

OPERATOR'S ENVIRONMENT

Heater/pressurizer/defroster cab without air conditioner (A/C)

For use with cab

- AM/FM CD radio
- Exterior mirrors (2 pcs)
- Sun visors for side door windows (2pcs)
- Additional adjustable working lights (2 pcs), ROPS mounted
- Cab lights, LED

Canopy ROPS/FOPS

Includes deduction for standard cab and air conditioner. Includes vinyl seat and instrument panel guard.

ROPS structure for use with sweeps

Includes deduction for standard cab and air conditioner. Includes vinyl seat and instrument panel guard.

SCREENS

Sweeps, forestry, front and rear, for standard cab with ROPS

Sweeps, forestry, front and rear, for open ROPS machine (must order ROPS structure)

Screen, rear (required for winch application) for use with sweeps

Screens for cab windows, for standard cab with ROPS (bolted)

Screening package, for open ROPS machine, includes front and rear sweeps

Includes front, side doors and rear screen (must order ROPS Structure)

GUARDS

Track roller guard, bolts to track guides

ADDITIONAL OPTIONS

1,000 h maintenance package (filters)

1,500 h maintenance package (filters)

2,000 h maintenance package (filters)

EXPORT PACKING

Export packing, drive-on/drive-off machine on the trailer

Export packing, containerized unit

SFR

Trimble Ready and Trimble Full options available

Trimble® GCS900 Grade Control Systems are available through

Trimble® and Dressta dealers

Blade shaker

At Dressta we take pride in innovating to help our customers to achieve more in the jobs they do.

Our dedicated team of application engineers can customize designs, modify standard equipment and adapt attachments for peak performance in specific application tasks, improving productivity and bottom line results.

Do you have a Special Feature Request? See how Dressta can help you achieve more in the jobs you do.

Specifications may change from time to time and this brochure may not reflect the latest specifications. Photographs in this brochure may not reflect market configuration. Please consult your dealer to confirm specifications and configurations.



Dressta encourages safe worksites.

Please consult operator's manual before use of any Dressta equipment.



info@dressta.com

www.dressta.com

DR-SP-TD8S-T3/T4F-A4-06062017-ENG